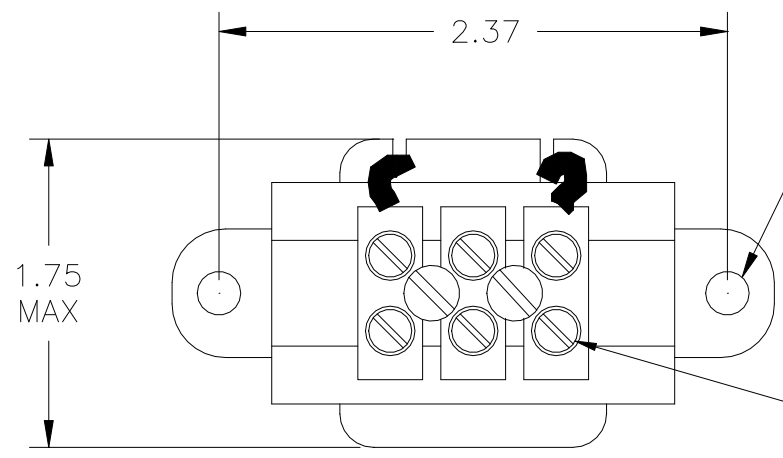


INDUCTANCE	LOSSES	WEIGHT
10 mH	3 Watts	1 Lbs

NO.	CHANGE DESCRIPTION	BY	DATE	C'K'D
05	REVISED PER ECR 7175, ADDED CD	RS	8/23/10	

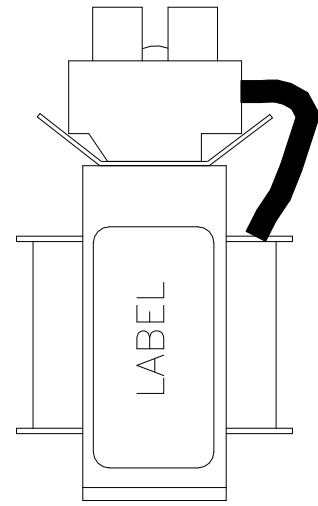
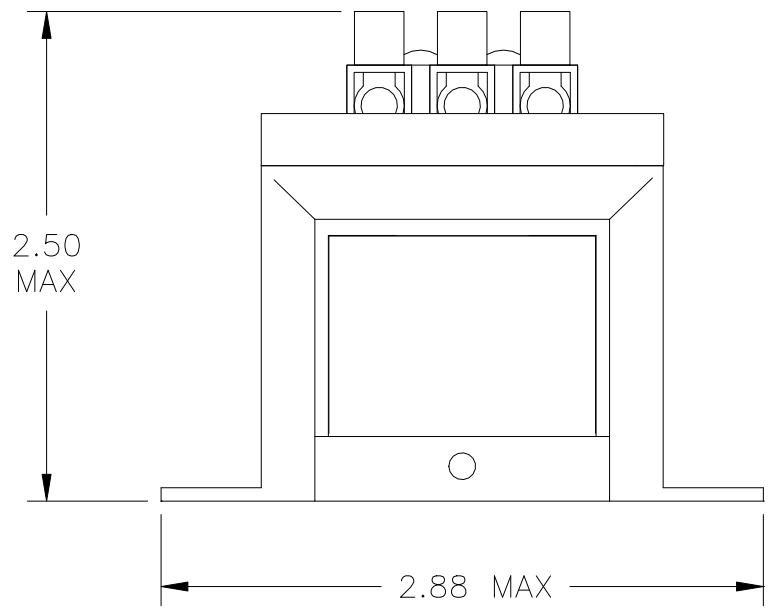
FILE:



0.187 DIA.
(2 HOLES)

WIRE RANGE: 22-14 AWG

CAUTION-TERMINAL SCREW TIGHTENING
TORQUE: 4.50 in-lb MAX.



UNLESS OTHERWISE SPECIFIED, DIMENSIONS ARE IN INCHES [mm] AND TOLERANCES ARE:

DECI. FRAC.

ANGLES DRILLED HOLES

PART NAME:	DC LINK CHOKE
DESCRIPTION:	OUTLINE DIMENSION
FINISH:	

MTE CORPORATION MENOMONEE FALLS, WISCONSIN			
CD 2RB001			REV. 05
SCALE	NTS	DATE 10/10/94	C'K'D
REF.	DR. BY	SJW	APP'D